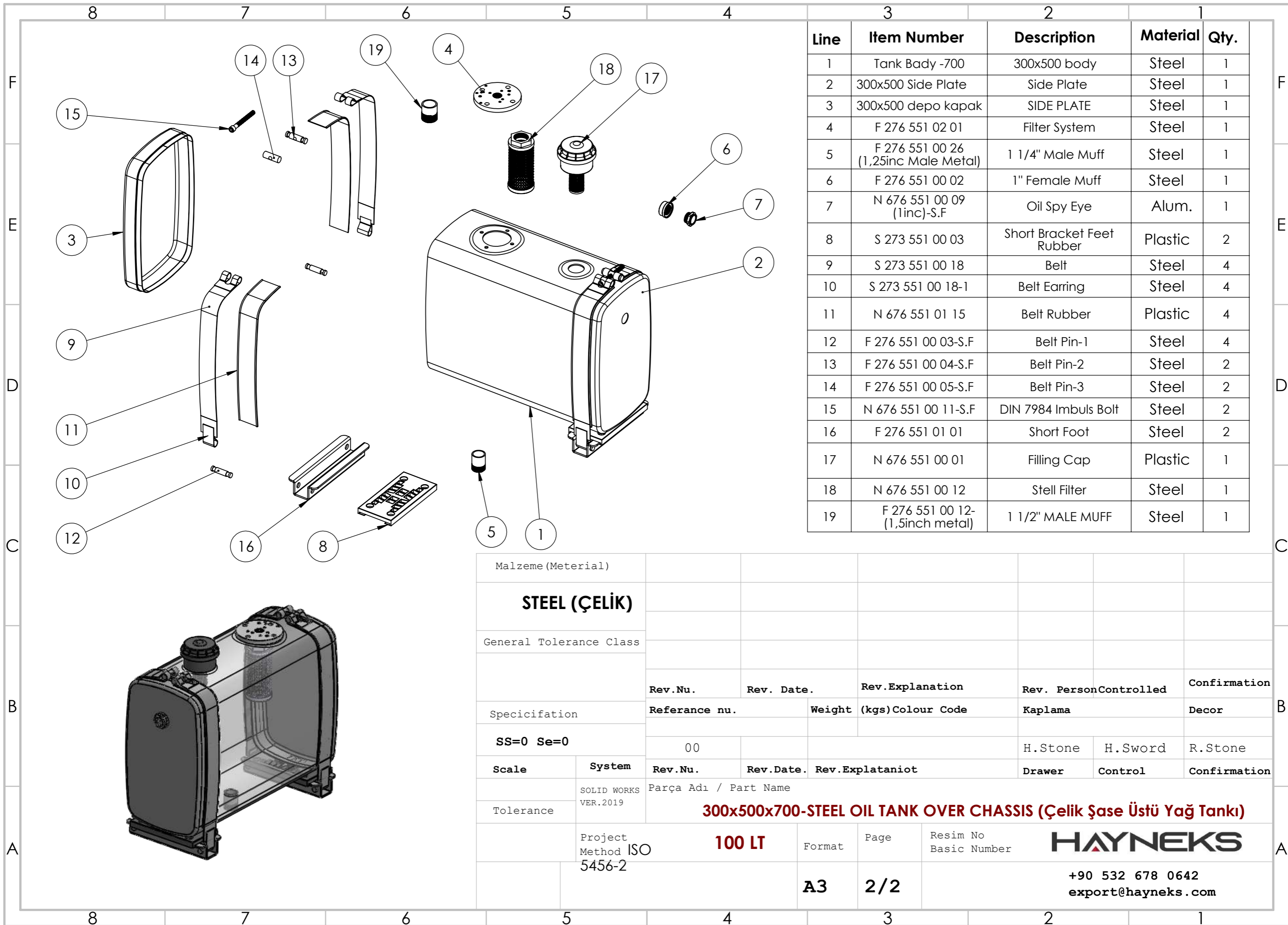


| Material (Malzeme) | | Order Quantity | | Order Number | | | | | | | |
|----------------------------------------|--|---------------------------|--------------|-----------------------|-----------------|---------------|--------------|-----------------------|----------------|----------------------------------------|--|
| STEEL (ÇELİK) | | | | | | | | | | | |
| General Tolerance Class | | | | | | | | | | | |
| Special Characteristics | | Rev.Nu. | Rev.Date | Rev.Explanation | Revised By | Controlled By | Confirmed By | | | | |
| SS=0 Se=0 | | Reference nu. | Weight (kgs) | Colour Code | Coating | By | Decor | | | | |
| Scale | | System | Rev.Nu. | Revized Date | Rev.Explanation | Drawer | Controlled | Confirmed | | | |
| Tolerance | | SOLID WORKS VER.2019 | | Parça Adı / Part Name | | | | | | | |
| Copy Right Hayneks All rights Reserved | | Project Method ISO 5456-2 | | 100 LT | | Format | Page | Resim No Basic Number | HAYNEKS | | |
| | | | | | | A3 | 1/2 | | | +90 532 678 0642 export@hayneks.com | |



| Line | Item Number | Description | Material | Qty. |
|------|-----------------------------------------|------------------------------|----------|------|
| 1 | Tank Bady -700 | 300x500 body | Steel | 1 |
| 2 | 300x500 Side Plate | Side Plate | Steel | 1 |
| 3 | 300x500 depo kapak | SIDE PLATE | Steel | 1 |
| 4 | F 276 551 02 01 | Filter System | Steel | 1 |
| 5 | F 276 551 00 26 (1,25inc Male Metal) | 1 1/4" Male Muff | Steel | 1 |
| 6 | F 276 551 00 02 | 1" Female Muff | Steel | 1 |
| 7 | N 676 551 00 09 (1inc)-S.F | Oil Spy Eye | Alum. | 1 |
| 8 | S 273 551 00 03 | Short Bracket Feet Rubber | Plastic | 2 |
| 9 | S 273 551 00 18 | Belt | Steel | 4 |
| 10 | S 273 551 00 18-1 | Belt Earring | Steel | 4 |
| 11 | N 676 551 01 15 | Belt Rubber | Plastic | 4 |
| 12 | F 276 551 00 03-S.F | Belt Pin-1 | Steel | 4 |
| 13 | F 276 551 00 04-S.F | Belt Pin-2 | Steel | 2 |
| 14 | F 276 551 00 05-S.F | Belt Pin-3 | Steel | 2 |
| 15 | N 676 551 00 11-S.F | DIN 7984 Imbuls Bolt | Steel | 2 |
| 16 | F 276 551 01 01 | Short Foot | Steel | 2 |
| 17 | N 676 551 00 01 | Filling Cap | Plastic | 1 |
| 18 | N 676 551 00 12 | Stell Filter | Steel | 1 |
| 19 | F 276 551 00 12- (1,5inch metal) | 1 1/2" MALE MUFF | Steel | 1 |

| | | | | |
|---------------------------------------------------------------------------------------------------------------|--|--|--|--|
| Malzeme (Material) | | | | |
| STEEL (ÇELİK) | | | | |
| General Tolerance Class | | | | |
| Rev.Nu. Rev. Date. Rev.Explanation Rev. PersonControlled Confirmation | | | | |
| Specicifation Reference nu. Weight (kgs)Colour Code Kaplama Decor | | | | |
| SS=0 Se=0 00 H.Stone H.Sword R.Stone | | | | |
| Scale System Rev.Nu. Rev.Date. Rev.Explataniot Drawer Control Confirmation | | | | |
| Tolerance SOLID WORKS VER.2019 Parça Adı / Part Name | | | | |
| 300x500x700-STEEL OIL TANK OVER CHASSIS (Çelik Şase Üstü Yağ Tankı) | | | | |
| Project Method ISO 100 LT Format Page Resim No Basic Number HAYNEKS | | | | |
| 5456-2 A3 2/2 +90 532 678 0642 export@hayneks.com | | | | |