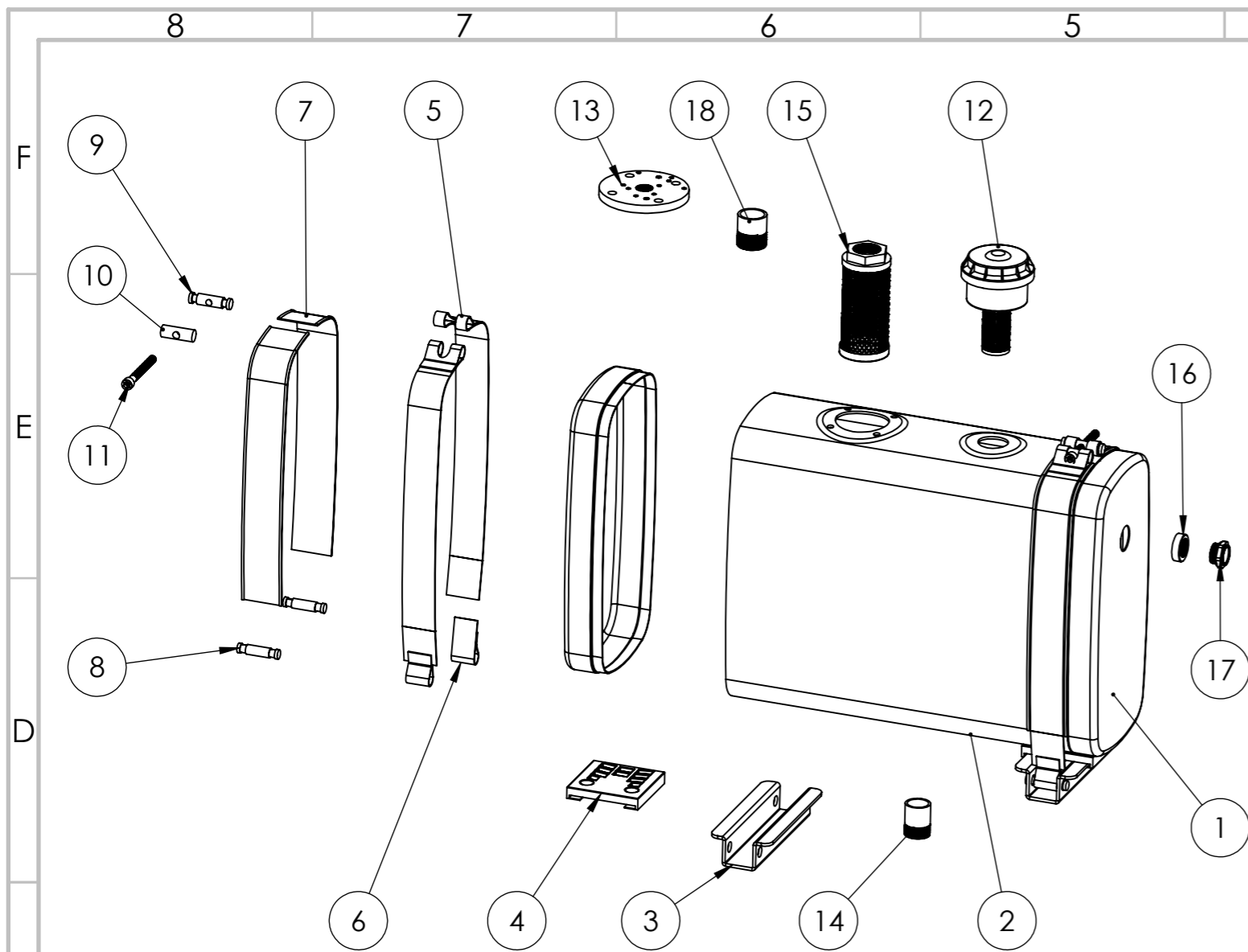
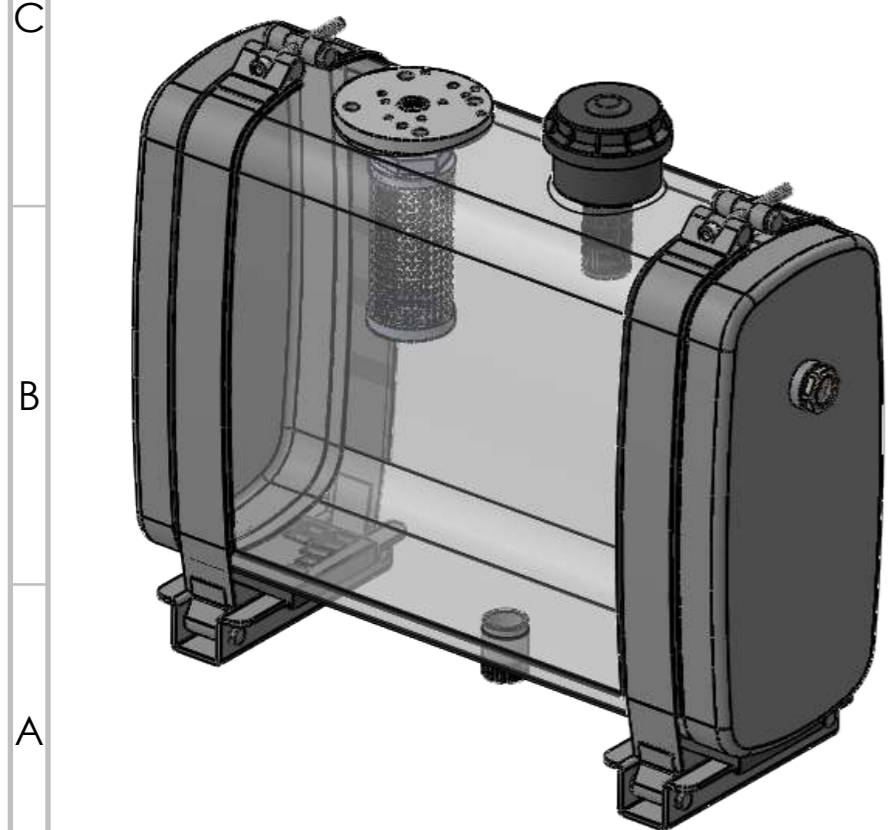


Material (Malzeme)	Order Quantity		Order Number						
<b>STEEL (ÇELİK)</b>	-	-							
General Tolerance Class									
Rev. Nu.	Rev. Date	Rev. Explanation	Revised By	Controlled By	Confirmed By				
Reference nu.	Weight (kgs)	Colour Code	Coating	Decor					
SS=0 Se=0	00		Mr.S.Koyuncu	Mr.H.KILIÇ	Mr.Polat				
Scale	System	Rev. Nu.	Rev. Date	Rev. Explanation	Drawer	Conrol	Confirmation		
Tolerance	SOLID WORKS VER.2019			250x500x700 mm STEEL OIL TANK Rear					
	Project Method ISO 5456-2								
Copy Right Hayneks All rights reserved	Drawing Number / Basic Number	Format	Page	<b>HAYNEKS</b>					
		<b>A3</b>	<b>1/2</b>	Working Volume: 80 Liter	+90 532 678 0642 export@hayneks.com www.hayneks.com				

(Çelik Yağ Tankı Şase Üstü)  
**HAYNEKS**



Line	Item Number	Description	Item	Material	Thickness	Qty.
1	250x500 side plate	Side Plate	St 37 (S235JR)	Steel	2	2
2	250x500 body	Tank Body	St 37 (S235JR)	Steel	2	1
3	F 276 551 01 12	Short Foot	St 37 (S235JR)	Steel	5	2
4	S 273 551 00 05	Short Bracket Feet Rubber	Neopren	Plastic		2
5	S 273 551 - 25x50	Belt	St 37 (S235JR)	Steel	2	4
6	S 273 551 00 18-1	Belt Earring	St 37 (S235JR)	Steel	2	4
7	N 676 551 01 16	Belt Rubber	Neopren	Plastic		4
8	F 276 551 00 03	Belt Pin-1	C1040	Steel		4
9	F 276 551 00 04	Belt Pin-2	C1040	Steel		2
10	F 276 551 00 05	Belt Pin-3	C1040	Steel		2
11	N 676 551 00 11	DIN 7984 Imbuls Bolt		Steel		2
12	N 676 551 00 01	Filling Cap	Hard PVC	Plastic		1
13	F 276 551 02 01	Filter System	St 37 (S235JR)	Steel	14	1
14	F 276 551 00 26	1 1/4" Male Muff	St 37 (S235JR)	Steel		1
15	N 676 551 00 12	Stell Filter	Steel	Steel		1
16	F 276 551 00 02	1" Female Muff	St 37 (S235JR)	Steel		1
17	N 676 551 00 09 (1inc)	Oil Spy Eye	6061-T6	Aluminium		1
18	F 276 551 00 12- (1,5 inch metal)	1 1/2" Male Muff	St 37 (S235JR)	Steel		1



Material (Malzeme)	Quantity	Order Number			
<b>STEEL (ÇELİK)</b>	-	-			
General Tolerance Class					
Specicifation	Rev.Nu.	Rev. Date.	Rev.Explanation	Rev. Person Control	Confirmation
<b>SS=0 Se=0</b>	Reference nu.	Weight (Kgs)	Colour Code	Covering (Kaplama)	Decor
<b>Scale</b>	<b>System</b>	Rev.Nu.	Rev.Date.	Rev.Explataniot	Drawer Control Confirmation
Tolerance	SOLID WORKS VER.2019	Parça Adı / Part Name		<b>250x500x700 STEEL OIL TANK OVER CHASSIS (Çelik Şase Üstü Yağ Tankı)</b>	
Project Metohod	Foto / Basic Number	Format	Page	<b>HAYNEKS</b>	
Copy Right Hayneks All rights Reserved	ISO 5456-2	<b>Working Volume: 80 Liter</b>	<b>A3</b>	<b>2/2</b>	<b>+90 532 678 0642 export@hayneks.com www.hayneks.com</b>