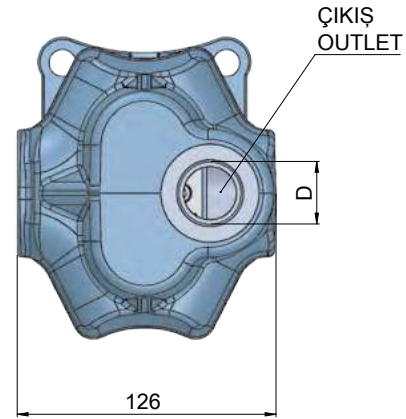
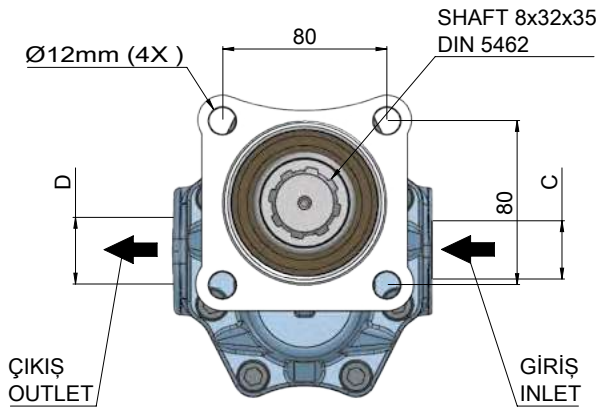
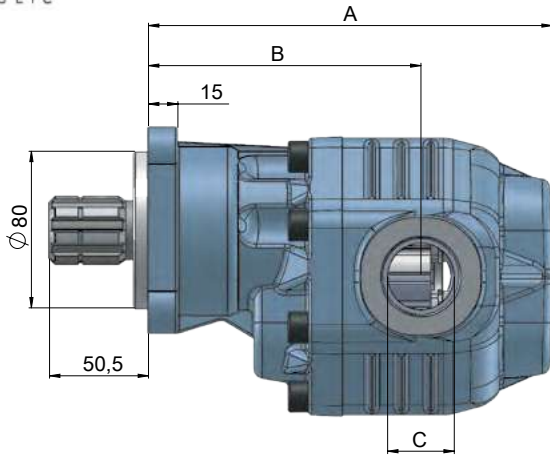




HAYNEKS
HYDRAULIC

30 TEK DÖNÜŞLÜ ISO 30 SINGLE ROTATION ISO



POMPA KODU PUMP CODES	ROTATION YÖN	DISPLACEMENT DEBİ (Lt/min)	A (mm)	B (mm)	INLET GİRİŞ (C)	OUTLET ÇIKIŞ (D)	Max. Continuous Pressure Max. Sürekli Basınç (Pnom)	Max. Peak Pressure Max. Pik Basınç (Pmax)
GPTD300170131-OA	RIGHT/SAĞ	17	201	126	R1/2"-14	R1/2"-14	265	300
GPTD300170132-OA	LEFT/SOL							
GPTD300270131-OA	RIGHT/SAĞ	27	208	130	R3/4"-14	R3/4"-14	260	290
GPTD300270132-OA	LEFT/SOL							
GPTD300340131-OA	RIGHT/SAĞ	34	183	132	R1"-11	R3/4"-14	250	280
GPTD300340132-OA	LEFT/SOL							
GPTD300430131-OA	RIGHT/SAĞ	43	190	135	R1"-11	R1"-11	240	270
GPTD300430132-OA	LEFT/SOL							
GPTD300510131-OA	RIGHT/SAĞ	51	193	137	R1 1/4"-11	R1"-11	220	250
GPTD300510132-OA	LEFT/SOL							
GPTD300610131-OA	RIGHT/SAĞ	61	201	138	R1 1/4"-11	R1"-11	210	240
GPTD300610132-OA	LEFT/SOL							
GPTD300820131-OA	RIGHT/SAĞ	82	315	147	R1 1/4"-11	R1"-11	180	220
GPTD300820132-OA	LEFT/SOL							